

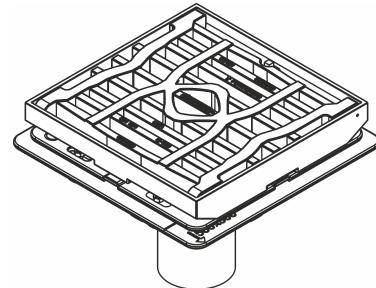
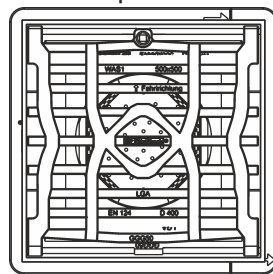


# BRIDGE GULLIES

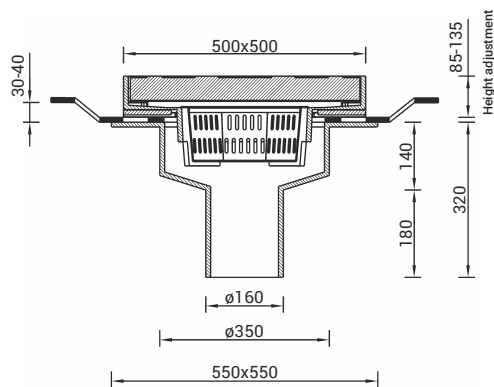
## Bridge Gully 500x500

- Cast iron bridge gully
- Compliant with standard drawing WAS 1
- Class D 400 DIN EN 124 DIN 1229
- Upper part steplessly adjustable in height, inclination, sideways and rotatable
- Grate cross-section 500x500 slot width approx. 30 mm / inlet cross section 1110 cm<sup>2</sup> / with damping support /with hinge and friction lock
- hot galvanized sludge bucket, capacity 5 liters
- Clamping flange for sealing membrane clamping and as support for gully top / with seepage tunnel
- Bottom part with gully socket DN 150 / with adhesive flange for sealing membrane / with screw-on option for mounting support

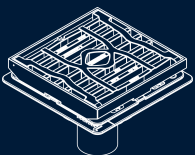
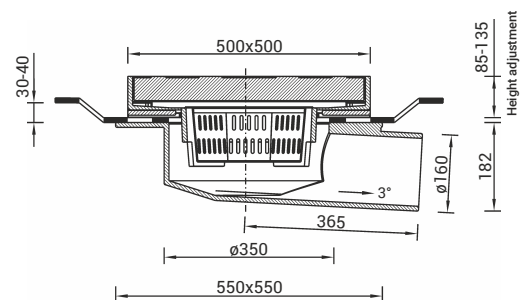
Top view



Bridge gully 500x500  
vertical socket



Bridge gully 500x500  
side socket





## Complete drains

Designation	Article
Bridge gully 500x500 / vertical outlet (upper part, clamping flange, lower part)	BA 500500 StRAIGHT
Bridge gully 500x500 / side outlet (upper part, clamping flange, lower part)	BA 500500 SIDE
Bridge gully 500x500 / inclined 45° outlet (upper part, clamping flange, lower part)	BA 500500 SCHR
Bridge gully 500x500 / asymmetrical vertical outlet (upper part, clamping flange, lower part)	BA 500500 ASYM

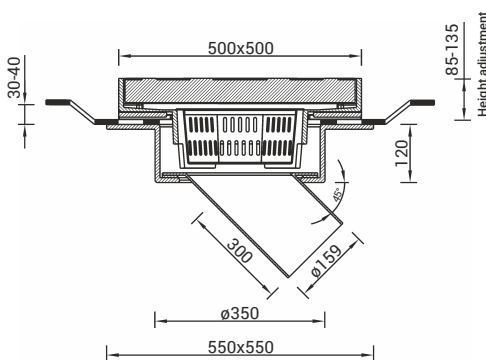
## Sequence of individual parts

Designation	Article
Bridge gully lower part vertical	BA UT SENKR
Bridge gully lower part lateral	BA UT SEITL
Bridge gully lower part oblique 45	BA UT SCHR
Bridge gully lower part asymmetrical, vertical	BA UT ASYM
Bridge gully clamping flange for OT 500x500	BA FL 500500
Bridge gully top 500x500 (frame with grate, mud bucket)	BA OT 500500
Assembly support kit	MU
Operating key	BS

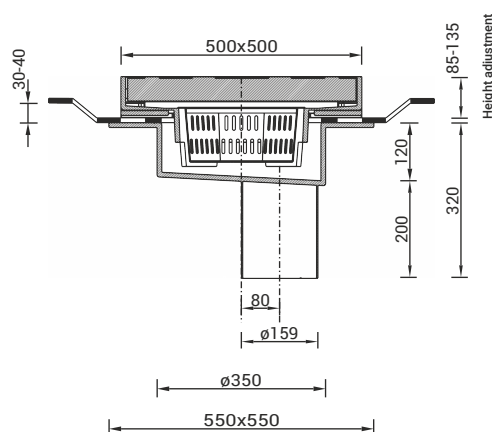
### additional options:

- gully socket longer or shorter
- gully socket DN 100 / Ø 108 (except for lateral outlets)
- gully bottom part and gully top part as flat version
- Intermediate flanges for additional height adjustment
- gully bottom part made of stainless steel 1.4571 (A4)
- gully upper part made of cast iron (GJS) hot-dip galvanized and color-coated

### Bridge gully 500x500 inclined 45° outlet



### Bridge gully 500x500 asymmetrical, vertical outlet



- Factory-screwed stainless steel (A4) gully outlet
- Outlets can be screwed in all directions

