

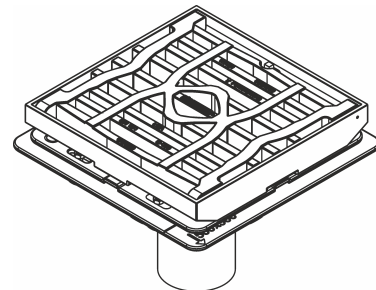
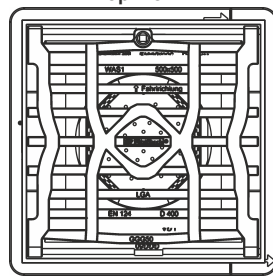


BRIDGE DRAINS

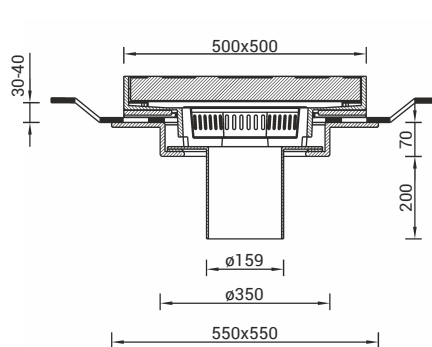
Bridge drain 500x500 / flat design

- Cast iron bridge drain
- Compliant with standard drawing WAS 1
- Class D 400 DIN EN 124 DIN 1229
- Upper part steplessly adjustable in height, inclination, sideways, as well as rotatable
- Grate cross-section 500x500
- slot width approx. 30 mm / inlet cross section 1110 cm²/ with damping support / with hinge and friction lock
- hot galvanized sludge bucket, capacity 2.8 liters
- Clamping flange for sealing membrane clamping and as support for drain top /with seepage tunnel
- Bottom part with drain socket DN 150 / with adhesive flange for sealing membrane / with screw-on option for mounting support

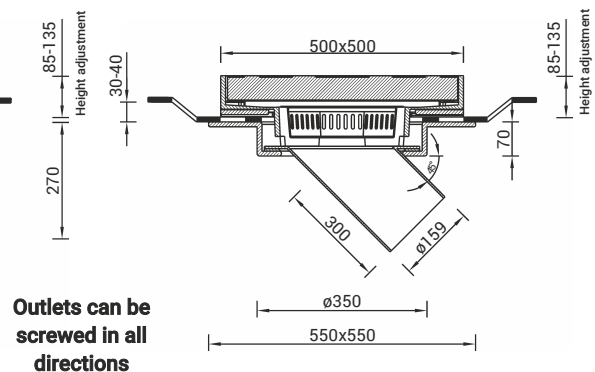
Top view



Bridge drain 500x500 / flat vertical outlet



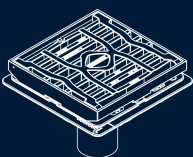
Bridge drain 500x500 / flat inclined 45° outlet



Outlets can be screwed in all directions

- Factory-screwed stainless steel (A4) drain socket or
- cast-on cast iron drain socket

- Factory-screwed stainless steel (A4) drain socket





Complete drains

Designation	Article
Bridge drain 500x500 / flat / vertical outlet (upper part, clamping flange, lower part)	BA 500500 F SIDE
Bridge drain 500x500 / flat / inclined 45° outlet (upper part, clamping flange, lower part)	BA 500500 F SCHR
Bridge drain 500x500 / flat / asymmetrical, vertical Outlet (upper part, clamping flange, lower part)	BA 500500 F ASYM

Sequence of parts

Designation	Article
Bridge drain bottom part / flat / vertical	BA UT F SIDE
Bridge drain bottom part / flat / sloping 45	BA UT F SCHR
Bridge drain bottom part / flat / asymmetrical, vertical	BA UT F ASYM
Bridge drain clamping flange for OT 500x500	BA FL 500500
Bridge drain top 500x500 / flat (frame with grate, mud bucket)	BA OT 500500 F
Assembly support kit	MU
Operating key	BS

Additional options:

- Drain socket longer or shorter
- Drain socket DN 100 / Ø 108
- Drain bottom part and drain top part as normal height version
- Intermediate flanges for additional height adjustment options
- Drain bottom part made of stainless steel 1.4571 (A4)
- Drain upper part made of cast iron (GJS) hot-dip galvanized and color-coated

Bridge drain 500x500 / flat asymmetric, vertical outlet

