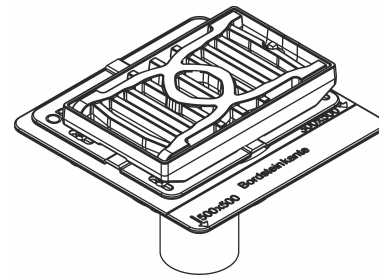
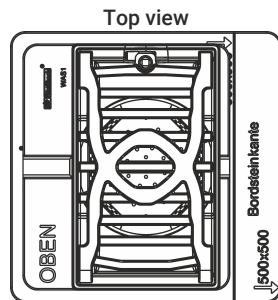




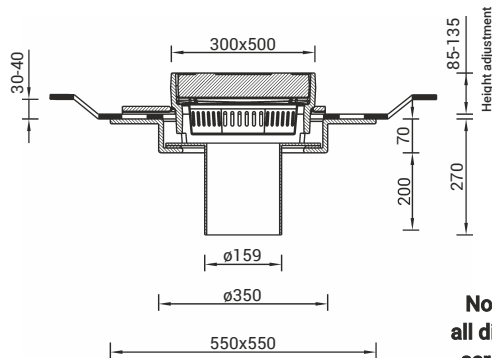
# BRIDGE GULLIES

## Bridge gully 300x500 / flat design

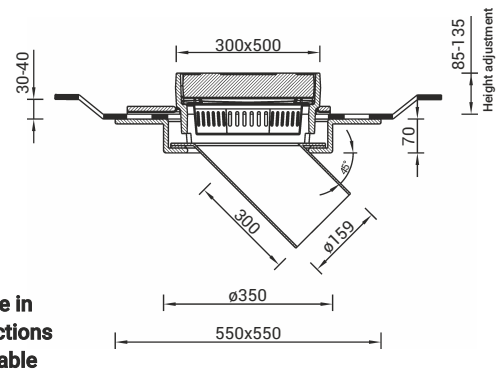
- Cast iron bridge gully
- Conforms to standard drawing WAS 1
- Class D 400 DIN EN 124 DIN 1229
- Upper part steplessly adjustable in height, inclination, sideways, as well as rotatable
- Grate size 300x500  
Slot width approx. 30 mm inlet cross section 610 cm<sup>2</sup>/  
with damping support / with hinge and friction lock
- Hot-dip galvanized sludge bucket, capacity 2.8 liters
- clamping flange for sealing membrane clamping and as support for gully top part /with seepage tunnel
- bottom part with gully socket DN 150 / with clamping flange for sealing sheet /with screw-on option for mounting support



### Bridge gully 300x500 / flat vertical socket

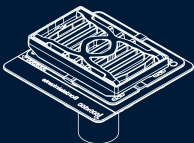


### Bridge gully 300x500 / flat inclined 45° spigot



- factory screwed stainless steel (A4) gully socket or
- cast-on gully socket made of cast iron

- factory screwed Stainless steel gully socket (A4)





## Complete Gullies

Designation	Article
Bridge gully 300x500 / flat / vertical socket (upper part, clamping flange, lower part)	BA 300500 F LOWER
Bridge gully 300x500 flat ' inclined 45° socket (upper part, clamping flange, lower part)	BA 300500 F SCHR
Bridge gully 300x500 / flat / asymmetric, vertical (upper part, clamping flange, lower part)	BA 300500 F ASYM

## gully single parts

Designation	Article
bridge gully lower part / flat / vertical	BA UT F VERTICAL
Bridge gully lower part / flat / sloping 45	BA UT F SCHR
Bridge gully lower part/ flat / asymmetric, vertical	BA UT F ASYM
Bridge gully clamping flange for OT 300x500	BA FL 300500
Bridge gully upper part 300x500 / flat (frame with grate, sludge bucket)	BA OT 300500 F
Assembly support kit	MU
Operating key	BS

### additional options:

- gully socket longer or shorter
- gully connection DN 100 / Ø 108
- gully bottom part and gully top part as normal height version
- Intermediate flanges for additional height adjustment options
- gully bottom part made of stainless steel 1.4571 (A4)
- gully upper part made of cast iron (GJS) hot-dip galvanized and color coated

### Bridge gully 300x500 / flat asymmetric, vertical socket

