

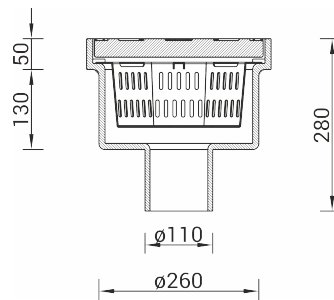


# BRIDGE GULLIES

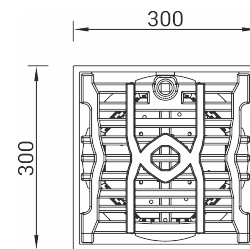
## Pedestrian bridge gully

- Cast iron bridge gully
- Class B125 DIN EN 124 DIN 1229
- Grate size 300x300 slot width approx. 16 mm / inlet cross section 320 cm<sup>2</sup> with damping support / with hinge and friction lock
- hot-dip galvanized sludge bucket, capacity 2.5 liters
- optionally without flange, with adhesive flange or with press sealing flange
- one-piece gully body with gully socket DN 100 / Ø 110

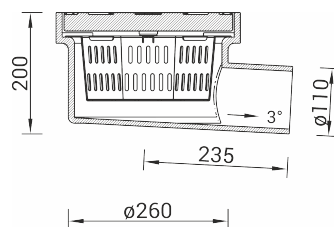
### Pedestrian bridge gully 300x300 vertical spigot without flange



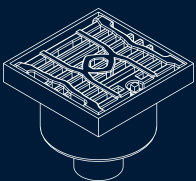
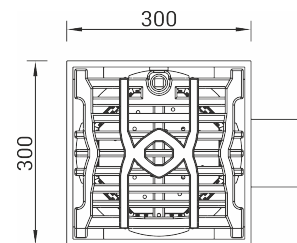
### FAL STRAIGHT OUTLET



### Pedestrian bridge gully 300x300 side spigot without flange

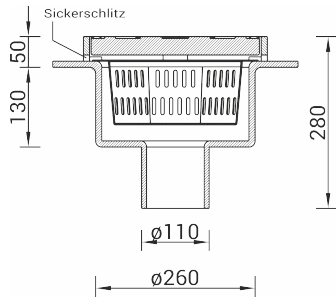


### FAL SIDE OUTLET

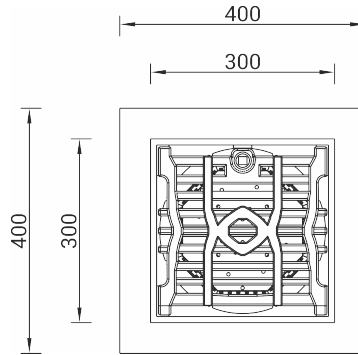




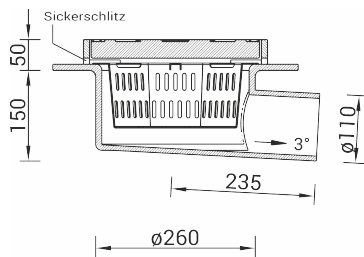
**Pedestrian bridge gully 300x300 vertical socket with adhesive flange**



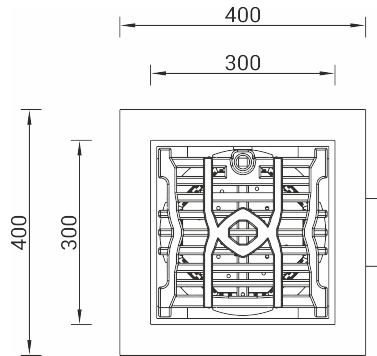
**FAL STRAIGHT OUTLET**



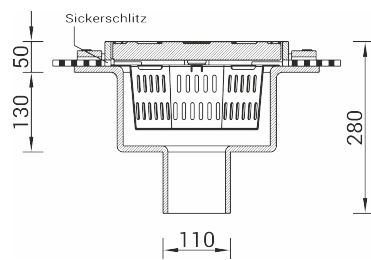
**Pedestrian bridge gully 300x300 side socket with adhesive flange**



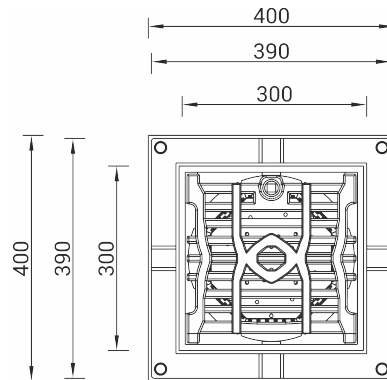
**FAL SIDE OUTLET**



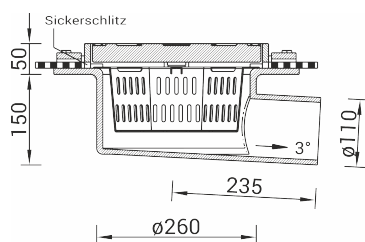
**Pedestrian bridge gully 300x300 vertical socket with press sealing flange**



**FAL STRAIGHT OUTLET**



**Pedestrian bridge gully 300x300 side socket with press sealing flange**



**FAL STRAIGHT OUTLET**

